

# Desktop Tripod and Paint Box Installation Instructions

FUUMUUI

## Desktop tripod

Instruction Manual

### Product Details



### Installation

- Align** Align the nut hole on the bottom of the paint box with the adapter screw on the tripod.
- Screw in** Turn the knob clockwise until it stops.
- Check** Gently shake it to ensure it is securely locked.
- Tip** Do not overtighten, as this may damage the threads.
- Removal** Turn the knob counterclockwise to remove the paint box.
- Caution** Support the paint box while removing to prevent it from falling.

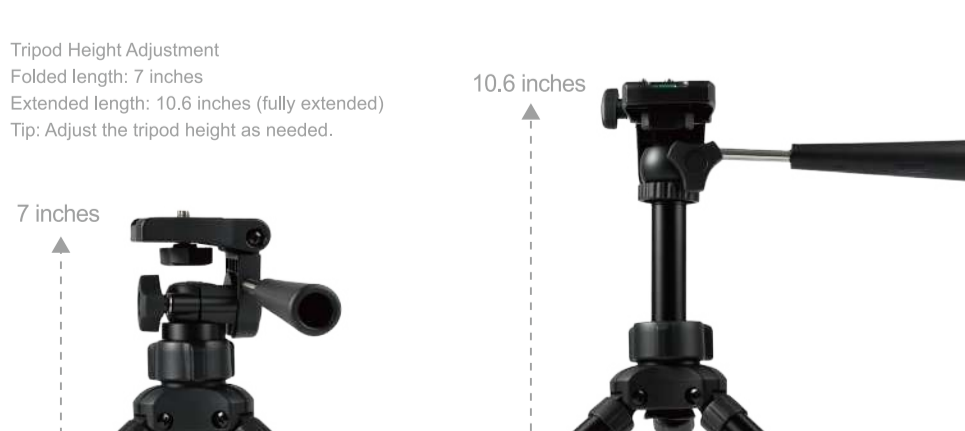


### Gimbal details



### Product Information

- Number of sections: 2
- Storage height: 200mm
- Do not raise the center axis: 200mm
- Load-bearing: 3kg
- Outer diameter: 20mm
- Fully extended height: 80mm
- Macro height: 190mm



Product Name: Desktop Tripod Model No.: DT01  
Manufacturer: Shenzhenshi Taiyang Wangluokeji Youxiangongsi  
Address: Bantianjiedaodafapushequlipujie10hao305Shenzhen, Longgangqu, Guangdongsheng, China  
Place of Production: Shenzhen, China E-mail: youareangelb1@hotmail.com

This is not intended for use by children. Do not use for other than the intended purpose. Thank you sincerely for your trust in our product! If you have any questions or uncertainties during use, our team is happy to assist you at any time.

FUUMUUI